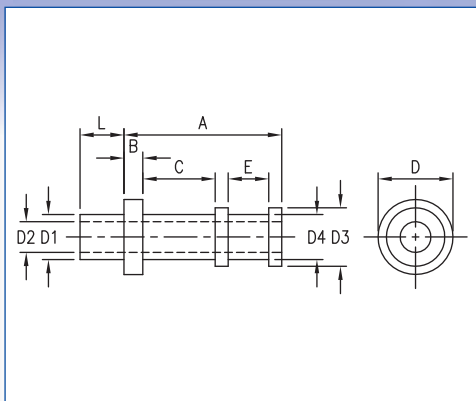


SOLDER TERMINALS - TURRET, THROUGH HOLE



Dimensions in inches (mm)
See page 92 for recommended Anvil and Punch

How to order code

160 - 15XX - XX - XX - 00

Basic Part No. Finish

Material Code Table		
Component	Material	RoHS
Terminal	Brass	✓

Finish Code Table		
Dash No.	Terminal Finish	RoHS
-01	Silver	✓
-04	Electro-Tin	✓
-05	Electro-Solder	X

Basic Part No.	L	Board Thickness	A	B	C	D	D1	D2	D3	D4	E	Mtg. Hole Diameter
160-1548 -01	.078 (1.98)	.031 (0.79)	.312 (7.92)	.031 (0.79)	.137 (3.48)	.188 (4.78)	.112 (2.84)	.078 (1.98)	.146 (3.71)	.113 (2.87)	.094 (2.39)	.116 (2.95)
-02	.109 (2.77)	.062 (1.57)										
-03	.141 (3.58)	.094 (2.39)										
-04	.172 (4.37)	.125 (3.18)										
160-1513 -02	.109 (2.77)	.062 (1.57)	.328 (8.33)	.046 (1.17)	.142 (3.61)	.188 (4.78)	.112 (2.84)	.078 (1.98)	.145 (3.68)	.112 (2.84)	.100 (2.54)	.116 (2.95)
-03	.141 (3.58)	.094 (2.39)										
-04	.172 (4.37)	.125 (3.18)										

Typical application



160-2040 swaged into FR4 strip for solder terminations